

PREMIUM HARD WIRED KEYPAD

Part #050700

Compatible with most access control devices



TABLE OF CONTENTS

INTRODUCTION	2	Night mode setting	6
Main features	2	Relay configuration.....	6
Packaging inventory.....	2	Deleting a single access code	6
Technical specifications	3	Deleting all user codes	7
MOUNTING DIAGRAM	3	Changing master password.....	7
WIRING	4	Restore factory master password.....	7
PROGRAMMING	5	Add an access code	7
Buzzer mode setting.....	5	Add a temporary access code	8
Request to exit setting (RTE).....	6	Change the twilight sensor sensitivity	8
		WARRANTY	8



1 Introduction

The Premium Hard Wired Keypad 050700 is a 12 key metal keypad designed for access control applications.

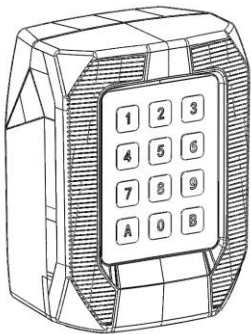
The internal memory can store up to 1000 different access codes (in any combination of permanent and temporary use codes) from 2-5 digits in length and 1 Master code.

The keypad is equipped with 2 high power contacts relays suitable to activate door or gate operator controls as well as drive directly inductive loads such as magnetic locks or electric door strikes.

Main Features

- Die-casted aluminum cover
- Quarter-turn keyed lock protection
- Goose neck or flat surface compatible mounting plate
- Stainless keypad with blue backlight
- Night light controlled by an adjustable twilight sensor
- Night light ON/OFF programmable
- Power supply 12/24 Vac/dc
- 1000 permanent or temporary 2-5 digits access codes
- 1 Master code
- 2 Relays programmable for 1-99 seconds activation or latch toggle
- 1 Request to exit input, programmable for either relay
- Internal buzzer with disable option
- Temporary disabling for multiple wrong codes
- If 7 incorrect access codes are attempted the keypad becomes disabled for 60 seconds.

2 Packaging inventory



1 keypad



4 x 1/4"-20 x 1/2" Bolts



4 x 1/4" - 20 nut
External tooth
lockwasher type



2 x Keys for
key number 622

Fig. 1

3 Technical Specifications

Number of keys	12
Number of output relays	2
Power Supply	12 - 24 Vac/dc
Relays contacts	C-NO-NC
Output contacts power.....	10A 125/250 Vac (NO)
.....	6A 125/250 Vac (NC)
Current consumption	Less than 5 mA with night light ON
Relays operating modes.....	Timed pulse or latch toggle
Release relay time.....	1 - 99 seconds programmable
Maximum number of access codes	1000
Temporary access codes	Yes
Code digits	2 - 5
Request to exit (RTE) input	Momentary contact C-NO
Codes range	0 - 99999
Operating temperature	From -22 °F to 158 °F
Dimensions.....	6.1" x 4.52" x 3.13"
Weight	10.5 oz / 300 gr
IP Protection Grade	IP55
Night light	Yes, programmable

4 Mounting Diagram

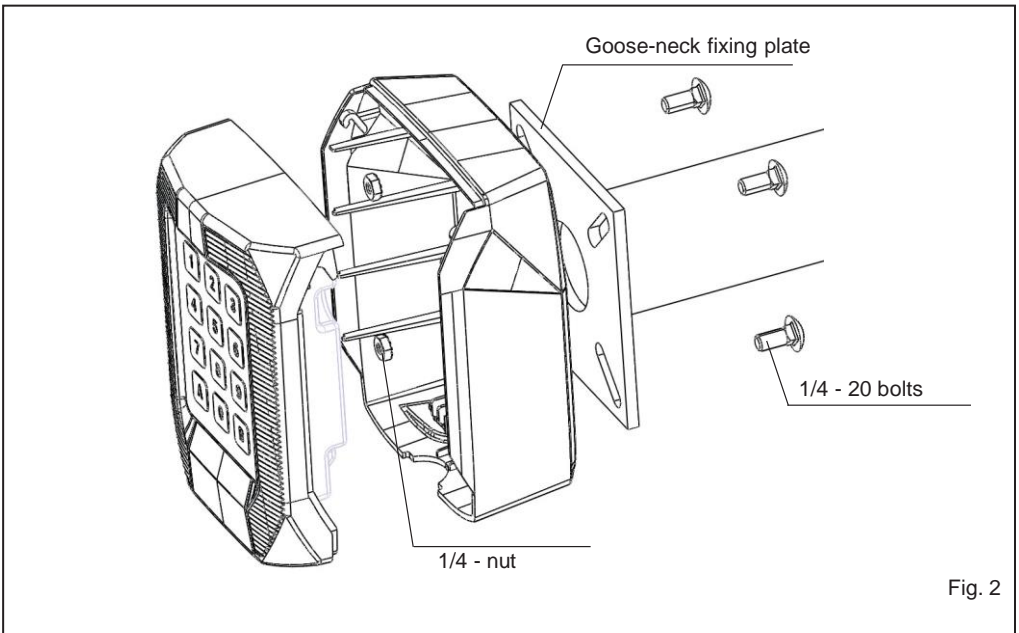
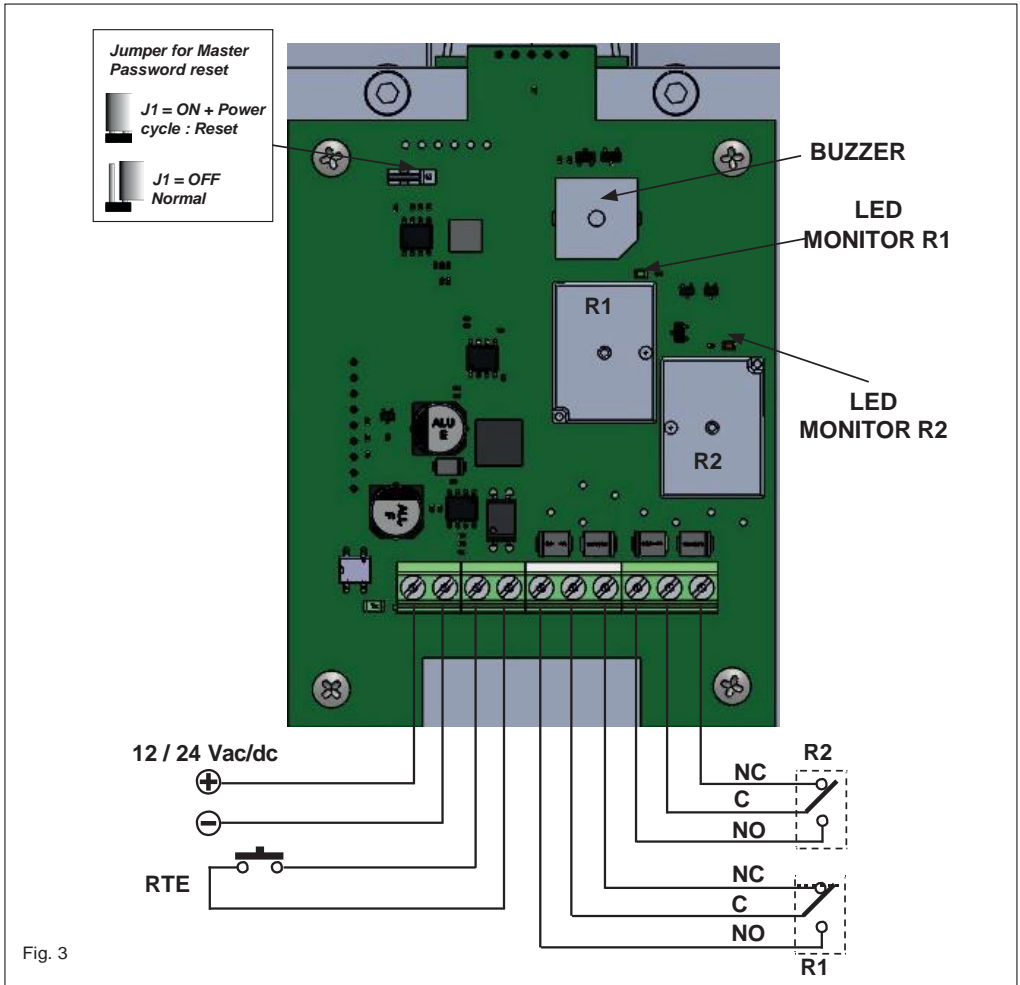


Fig. 2

5 Wiring



6 Programming

Terms to Understand

Access Code – The 5 digit code entered on the keypad to operate the gate.

Option available is to create a code containing less than 5 digits and use the # sign as the last key in the code. Example code “5#” or “1234#” (the # is part of the access code).

ACCESS CODE CAN NOT BE THE SAME AS THE MASTER PASSWORD.

Master Password – The 5-digit code used to access programming features. Factory default is “11111”. This should be changed for security reasons.

NOT USED TO ACTIVATE RELAYS - CANNOT BE THE SAME AS ANY ACCESS CODE.

7 Factory Settings

- Relay 1 = pulse mode (1 sec.)
- Relay 2 = latch toggle mode
- Master password = 11111
- Night light threshold sensitivity = 4
- Buzzer = active for key pressure and relay activation
- Request to Exit (REQ) = triggers relay 1
- Night light mode setting = according to external lighting.

8 Programming Commands Legend

Code	Description
2	Default parameters
3	Request to exit (RTE) input configuration
4	Buzzer enabling
5	Night light setting
6	Relay mode
7	Deleting access codes
8	Changing master password
9	Adding access code
0	Setting night light threshold
*	Exit from commands loop before timeout --> 3 beeps

9 Restore Factory Default Settings

1. **Type your Master Password.**
2. **Press '2'.** --> 2 beeps (if one long beep, start from step 1).
3. **Confirm your Master Password.**
4. **Press '2'.** --> 2 beeps (if one long beep, start from step 1).
5. **Type your Master Password again.**
6. **Press '2'.** --> 2 beeps (if one long beep, start from step 1).

10 Request to Exit Configuration

1. **Type your Master Password.**
2. **Press '3'.** --> 2 beeps (if one long beep, start from step 1).
3. **Select the mode:**

'1' = drives relay 1

'2' = drives relay 2

'3' = drives both relay 1 and relay 2 simultaneously.

4. --> 2 beeps

Default setting: '1' = drives relay 1

11 Buzzer Mode Setting

1. **Type your Master Password.**
2. **Press '4'.** --> **2 beeps** (if one long beep, start from step 1).
3. **Select the mode:**
'0' = disabled
'1' = only on pressing a key
'2' = only on activation of a relay
'3' = both on activation of a relay and on pressing a key (default).
4. --> **2 beeps.**

12 Night Light & Keypad Backlight Mode Setting

1. **Type your Master Password.**
2. **Press '5'.** --> **2 beeps** (if one long beep, start from step 1).
3. **Choose the mode:**
'0' = Night light always ON
'1' = Night light always OFF
'2' = Night light ON according to external lighting
'3' = Keypad blue backlight ON upon key activation and according to external lighting
'4' = keypad blue backlight always ON
'5' = keypad blue backlight and night light always ON
4. --> **2 beeps: setting stored**
Default setting: '2' = "according to external lighting".

13 Relay Configuration

1. **Type your Master Password.**
2. **Press '6'.** --> **2 beeps** (if one long beep, start from step 1).
3. **Select the relay:** '1' = relay 1, '2' = relay 2
4. **Select the parameter to modify:** '1' = time; '2' = mode.
5. Enter the **time** (2 digits: 01 - 99 sec)
or
the **operating mode** ('1' = timed pulse, '2' = latch toggle)
6. --> **2 beeps: Parameter stored** (if one long beep, start again from step 1)

14 Delete a Single Access Code

1. **Type your Master Password.**
2. **Press '7'.** --> **2 beeps** (if one long beep, start from step 1).
3. **Enter the code to delete.**
4. **Press '7'.** --> (if one long beep, start from step 1).
5. **Repeat the code to delete.**
6. **Press '7'.** --> **2 beeps: access code deleted** (if one long beep, start again from step 1).

15 Deleting All User Access Codes

1. **Type your Master Password.**
2. **Press '7'.** --> **2 beeps** (if one long beep, start from step 1).
3. **Re-type your Master Password.**
4. **Press '7'.** --> (if one long beep, start from step 1).
5. **Repeat again your Master Password.**
6. **Press '7'.** --> **2 beeps:** All access codes deleted (if one long beep, start again from step 1).

16 Changing The Master Password

1. **Type your Master Password.**
2. **Press '8'.** --> **2 beeps** (if one long beep, start from step 1).
3. **Type the New Master Password** (If shorter than 5 digits end it with '#'.)
4. **Press '8'.** --> (if one long beep, start from step 1).
5. **Type the New Master Password** again
6. **Press '8'.** --> **2 beeps:** Master password changed (if 1 long beep, start again from step 1).

17 Restore The Default Master Password

1. Turn the keyboard power OFF
2. Insert the jumper
3. Power up the keypad: the buzzer should activate continuously
4. Remove the jumper
5. --> **2 beeps:** Default Master Password restored

18 Add An Access Code

1. **Type your Master Password.**
2. **Press '9'.** --> **2 beeps** (if one long beep, start from step 1).
3. **Enter the user code.** (If shorter than 5 digits end it with '#'.)
4. **Press '9'.** --> (if one long beep, start from step 1).
5. **Re-enter the user code.** If shorter than 5 digits end it with '#'.)
6. **Press '1','2' or '3'** depending on the action to be associated with the code. --> **2 beeps:** access code memorized (if one long beep, start again from step 1).

Action Code	Description
1	Trigger Relay 1
2	Trigger Relay 2
3	Trigger Relays 1&2

19 Temporary Access Codes

If a temporary code has not expired, it can be extended without being cancelled.

The procedure for inserting it is:

1. **Type your Master Password.**
2. **Press '9'. --> 2 beeps**
(if one long beep, start from step 1).
3. **Enter the Temporary code.**
4. **Press '9'. -->** (if one long beep, start from step 1).
5. **Re-enter the Temporary code.**
6. **Press '#'**.
7. **Enter the possible activations ('1' - '9').**
8. **Press '1', '2', or '3'** depending on the action to be associated with the code.

Action Code	Description
1	Trigger Relay 1
2	Trigger Relay 2
3	Trigger Relays 1&2

20 Night Light Twilight Sensor

The night light has many operation modes, alone or with the blue keypad backlight (see par. 12):

- Always OFF,
- Depending on the external brightness;
- Always ON;

The brightness threshold that determines whether or not to turn on the night lighting and the button LEDs can be changed by choosing from 10 levels. A higher level means that the LED will turn on in the presence of greater external light.

To facilitate identification of the level, the light intensity will be read at each variation and the LED will be switched ON or OFF using the new setting.

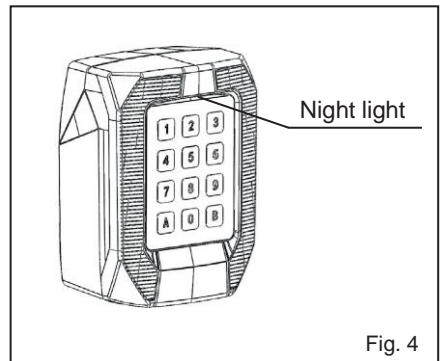


Fig. 4

21 Change The Sensitivity Of The Twilight Sensor

1. **Type your Master Password.**
2. **Press '0'**
3. **Enter the Value of the threshold ('0' - '9') --> 2 beeps** (if one long beep, start from step 1). Press * to exit.

22 Warranty

USAutomatic, LLC warrants this product to be free of defects in materials and workmanship for 1 YEAR. For a period of 1 YEAR following purchase USAutomatic, LLC. will repair or replace the product free of charge, including parts, shop labor and return shipping and handling. This warranty does not cover any damage due to misuse of the keypad. To have the product sent for warranty consideration, it must be returned with the proof of purchase and a return authorization number. To obtain a return authorization number please call 972-221-7000 for assistance. The return authorization number must be clearly marked on the outside of the return package or it may not be accepted.

IS-WKPUEEN Rev. E on 5/12/2023



USAutomatic, LLC
170 Valley Ridge Blvd.
Lewisville, TX 75057
972-221-7000
888-204-0174
www.usautomatic.com